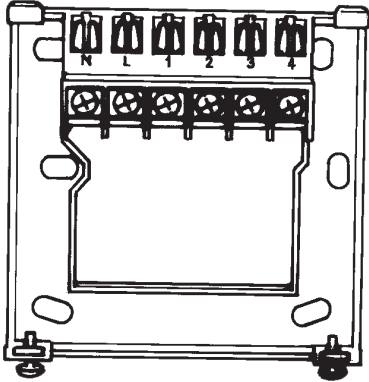
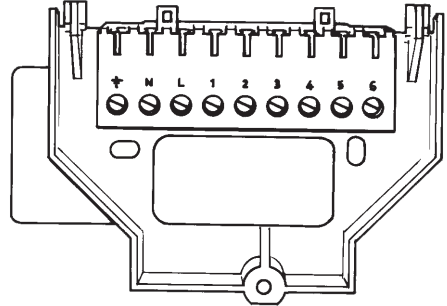


SET Wallplate for the FP975 Programmer



MK9 Wallplate for the FP975 Programmer (Discontinued)



FP975 is a plug-in replacement to MK9, but must be set in MK9 mode using the switch on the rear of the unit.

⏏	N	L	1	2	3	4	5	6
Mains Supply (via 3 amp fuse)	Water			Heating				
	ON	COM	OFF	ON	COM	OFF		

⏏	N	L	1	2	3	4	5	6
Mains Supply (via 3 amp fuse)	Water			Heating				
	OFF	COM	ON	OFF	COM	ON		

